

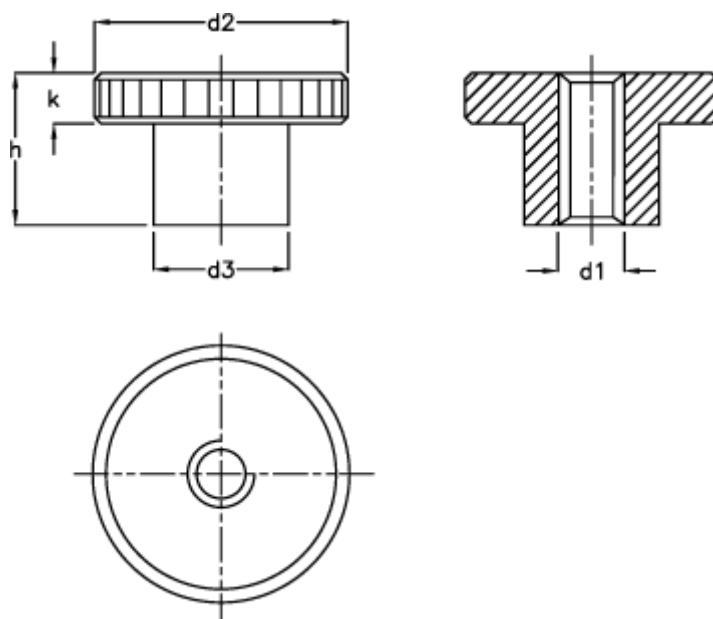
Data Sheet



Article number: 207045111

Description: E+G Knurled nut DIN 466-M10
St. steel

Measures



$d_1 = M 10$
 $d_2 = 36$
 $d_3 = 20$
 $h = 23.0$
 $K = 8.0$